

Follow-up Regulator

AD-NR 100 GB
AD-NR 100 EV

Description

The follow-up regulator is a purely proportional regulator, it approaches a correction element via contacts, dependant on the nominal value at input 1. The remote transmitter, connected to the correcting element reports the respective position back to the regulator (input 2). After successful adaptation of the two input sizes the approach of the correcting element is interrupted until an input size changes again. Precision adjustment trimmer for zero and full adjustment also for setting the response sensitivity are integral in the unit



Application

Motorised follow-up device for indication of measured values, regulation of correction elements in industrial processing engineering etc. The regulating time of the drives should be at least 1 minute (p-regulator)

Specification

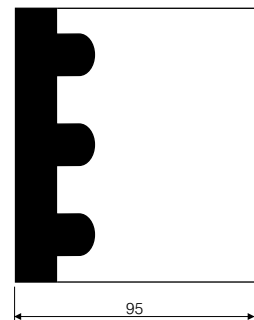
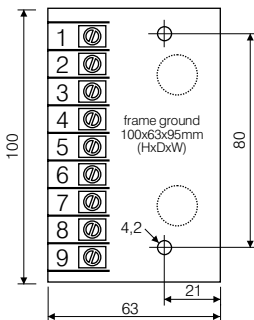
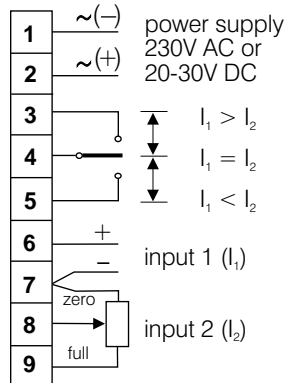
| | |
|-----------------------|--|
| power supply: | 230 V AC +/- 10% 50-60Hz alternative: 20-30 V DC special supply on request |
| power consumption: | ca. 6 VA resp. 2,5 W |
| input 1: | current or voltage (*) |
| input 2: | potentiometer >= 500 Ohm |
| output: | changer in zero position |
| switching voltage | max 250V, 50 Hz |
| switching current: | max. 2 A |
| breaking capacity: | max 100 VA |
| response sensitivity: | selectable from 0,5% to 2% |
| tolerance: | 1% of the input value |
| ambient temperature: | 0°C to +50°C |

(*) values must be advised by order

Connections and dimensions: AD-NR 100 GB

weight: ca. 300 g
protection: IP 20
manner of fastening:
DIN rail 35mm
(EN50022)

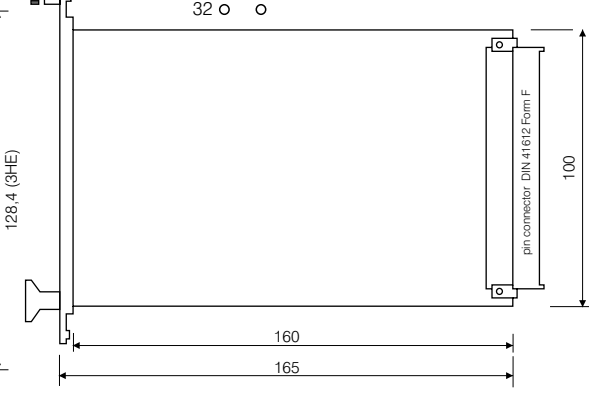
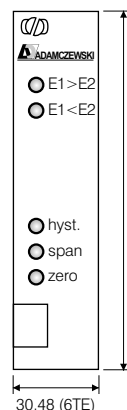
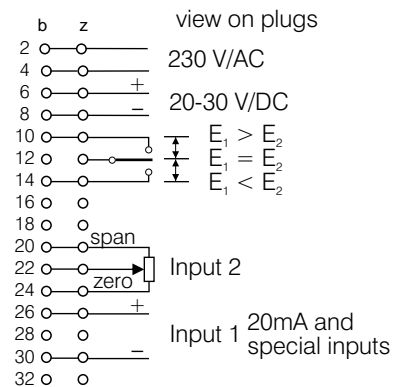
connection data:
fine-wire: 2,5 mm²
single-wire: 4,0 mm²
max. voltage: 250 V~



Connections and dimensions: AD-NR 100 EV

weight: ca. 200 g
protection: IP 00

Euroboard format
100 x 160 mm
DIN 41 494 / IEC 297-1



Printed 07/2008. We reserve the right for technical changes



ADAMCZEWSKI
Elektronische Messtechnik GmbH

Felix-Wankel-Str. 13
Tel. +49 (0)7046-875
vertrieb@ad-messtechnik.de

74374 Zaberfeld
Fax +49 (0)7046-7678
www.adamczewski.com