

Multiplier Isolation Amplifier

AD-TV 452 EV
AD-TV 453 EV
AD-TV 454 EV

Description:

The separation amplifier AD-TV 45x EV serves foremost the multiplication of an analogue signal. The offered linear output signals (max. 4) are here all galvanically separated, to the input signal as well as to the supply voltage and to the other channels. The completely independent output signals are additionally freely selectable. Therefore different output signals are also possible, linear to the input. Spindle trimmers are located at the front for direct adaptation. Due to the narrow construction (4 TE), up to 84 output channels can be integrated in the standard module carrier. The multiplier separation amplifier is also available in a housing (AD-TV 45x GA).

Application:

Typical individual cases are the forming of independent measuring loops, increase of output loads through splitting, multiplication of



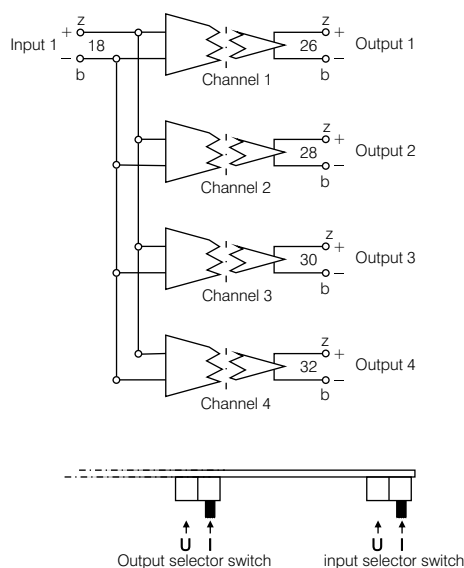
an analogue signal with simultaneous conversion (if, for instance, 0...20 mA as well as 4...20 mA are required).

Technical data:

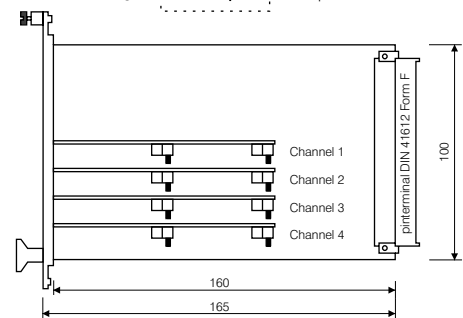
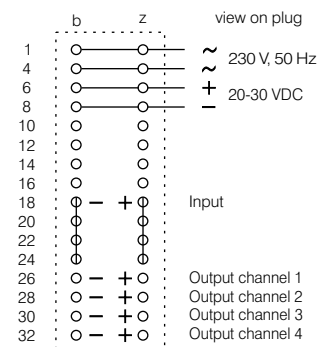
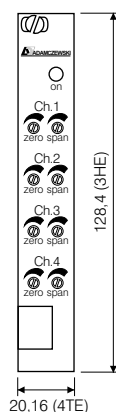
construction type:	19"-euro-board-format, up to 4 channels
power supply:	230V AC, 50 Hz, +10% (*) alternative 20-30V DC, internal galvanical insulated
power consumption:	ca. 3,5 VA resp. 2,7 W
input:	1 x 0...20mA; 4...20mA; 0...10V; 2...10V switching or re-adjustable
input impedance:	I = 50 Ohm; U = 100 kOhm
output (max. 4):	0...20mA; 4...20mA; 0...10V; 2...10V each channel switching or re-adjustable
output load:	max. 800 Ohm with 20mA, each channel min. 500 Ohm with 10V, each channel
linearity error:	< 0,3%
influence of temperature:	< 100 ppm/K
ripple frequency:	< 50 mV _{rms}
insulation test:	input/output: 3 kV RMS channel/channel 2 kV RMS signal/power-supply 4 kV RMS AC/DC
protective systems:	input against over voltage and excess current power voltage against excess current, over voltage and excess temperature
CE-conformity:	EN 50081-2 / EN 50082-2
ambient temperature:	0° to 50°C

(*) = values must be defined by order

Connections and dimensions: AD-TV 451...454 EV



weight 320 g
protection: IP 00



Printed 03/2008. We reserve the right for technical changes



ADAMCZEWSKI
Elektronische Messtechnik GmbH

Felix-Wankel-Str. 13
Tel. +49 (0)7046-875
vertrieb@ad-messtechnik.de

74374 Zaberfeld
Fax +49 (0)7046-7678
www.adamczewski.com