

# AC-Voltage Isolation Amplifier (3-channel)

AD-TV 563 GA

## Description:

The isolation amplified AD-TV 563 GA converts sinusoidal alternating voltages to analogue, optionally according to the effective values, output signals in to three independent channels. With the measuring principle of real effective value measuring, distorted alternating signals can also be accurately captured .

Input, output, the supply voltage and the channels amongst each other are galvanically isolated from each other. The output signals are independent of the connected load up to a maximum value.

## Application:

Multi-channel capturing, galvanic isolation, conversion and amplification of alternating voltages in analogue signals. Optional effective value conversion, adaptation and amplification of output signals of voltage converters.

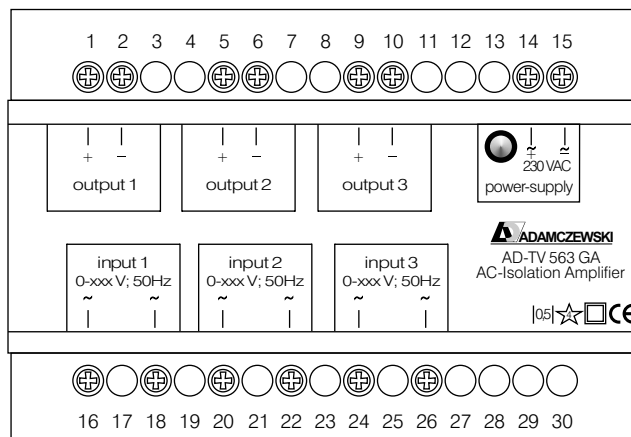


## Technical data:

|                           |   |
|---------------------------|---|
| Construction type:        | surface housing<br>AD-TV 563 GA (3-channel)   |
| Power supply (*):         | 230V AC +/-10% 50-60Hz<br>alternative: 20-30V DC (galvanic isolation integrated)                                      |
| Power consumption:        | ca. 5 VA resp. 6 W  |
| Input(*):                 | AC-voltage, 50Hz sinus<br>(min. 30V AC; max. 600V AC)   |
| Output(*):                | impressed voltage or current<br>e.g. 0...20 mA; 4...20 mA; 1...10V<br>(others on request)                             |
| Output-load:              | current: max. 800 Ohm/channel<br>voltage: min 500 Ohm/channel   |
| Linearity:                | <0,3%   |
| Influence of temperature: | <200 ppm/K  |
| Insulation test voltage:  | input/output: 5 kV RMS<br>signal/supply: 4 kV RMS/AC<br>2 kV RMS/DC   |
| Protective system:        | input/output: against over-voltage<br>over-current<br>supply: against over-voltage,<br>over-current, over-temperature |
| Ambient temperature:      | 0...+50°C   |

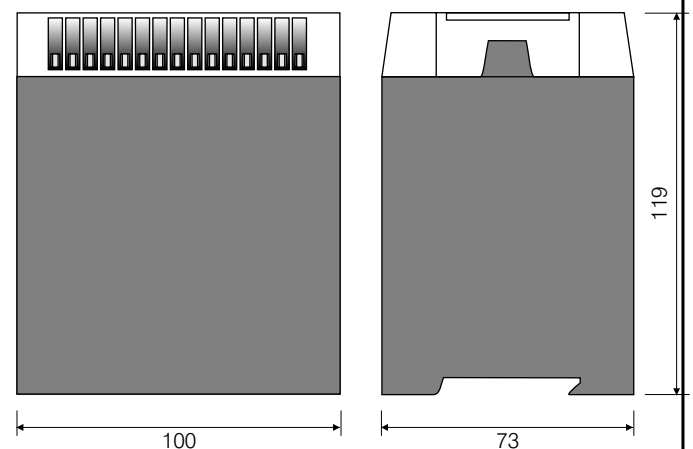
(\* ) values must be defined by order

## Connections and dimensions: AD-TV 563 GA



weight 450 g  
protection: IP 20  
manner of fastening:  
attachment rail: NS35/7,5

connection data:  
fine-wire: 2,5 mm<sup>2</sup>  
single-wire: 4 mm<sup>2</sup>  
max. voltage: 250 V~



Printed 08/2006. We reserve the right for technical changes



**ADAMCZEWSKI**  
Elektronische Messtechnik GmbH

Felix-Wankel-Str. 13  
Tel. +49 (0)7046-875  
vertrieb@ad-messtechnik.de

74374 Zaberfeld  
Fax +49 (0)7046-7678  
www.adamczewski.com